

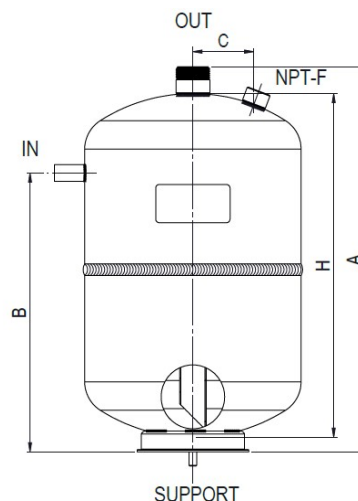
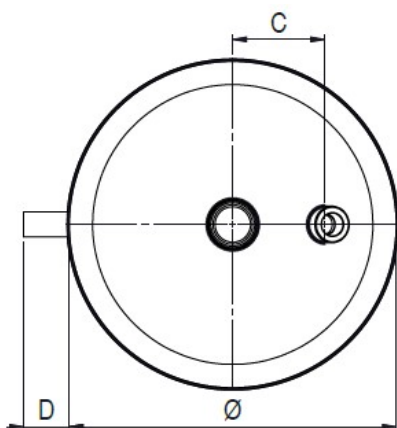


Przedsiębiorstwo Produkcyjno Handlowo Usługowe
ReBaNo
 Renata i Bartosz Nowaczy
 ul. Kopanina 39 , 60-105 Poznań
 tel./faks: +48 61 657-93-65 , e-mail: biuro@rebano.pl
 NIP: 779-103-65-86, REGON: 630603794
 Rok założenia 1996



Pionowe zbiorniki ciekłego czynnika o pojemności od 1 do 34 litra

Model	pojemność zbiornika	przyłącza zbiornika			wymiary zbiornika		ciśnienie maksymalne	ilość wzierników	cena cennikowa
		wejście	wyjście	zawór bezpieczeństwa	średnica	wysokość			
RV1 RR102X148	1,0 dm ³	1" ROT	1" ROT	brak	ø 102 mm	180 mm	32,0 bar	brak	16,00 EUR
RV3 RR102X148							45,0 bar		16,80 EUR
RV1 RR102X210	1,5 dm ³	1" ROT	1" ROT	brak	ø 102 mm	242 mm	32,0 bar	brak	18,50 EUR
RV3 RR102X210							45,0 bar		19,40 EUR
RV1 RR122X230	2,5 dm ³	1" ROT	1" ROT	1/4" NPT	ø 122 mm	271 mm	32,0 bar	brak	21,10 EUR
RV3 RR122X230							45,0 bar		22,20 EUR
RV1 RR130X250	3,0 dm ³	1" ROT	1" ROT	1/4"NPT	ø 130 mm	291 mm	32,0 bar	brak	23,90 EUR
RV3 RR130X250							45,0 bar		25,10 EUR
RV1 RR154X270	4,5 dm ³	1" ROT	1" ROT	1/4"NPT	ø 154 mm	312 mm	32,0 bar	brak	30,80 EUR
RV3 RR154X270							45,0 bar		32,40 EUR
RV1 RR160X360	6,5 dm ³	1" ROT	1" ROT	1/4"NPT	ø 160 mm	402 mm	32,0 bar	brak	35,00 EUR
RV3 RR160X360							45,0 bar		36,80 EUR
RV1 RR200X290	7,5 dm ³	1" ROT	1" ROT	1/2"NPT	ø 200 mm	333 mm	32,0 bar	brak	38,20 EUR
RV3 RR200X290							45,0 bar		40,10 EUR
RV1 RR194X310	8,0 dm ³	1" ROT	1" ROT	1/2"NPT	ø 194 mm	353 mm	32,0 bar	brak	39,40 EUR
RV3 RR194X310							45,0 bar		41,40 EUR
RV1 RR214X330	10,0 dm ³	1" 1/4 ROT	1" 1/4 ROT	1/2"NPT	ø 214 mm	379 mm	32,0 bar	brak	46,30 EUR
RV3 RR214X330							45,0 bar		48,60 EUR
RV1 RR220X350	12,0 dm ³	1" 1/4ROT	1" 1/4 ROT	1/2"NPT	ø 220 mm	399 mm	32,0 bar	brak	49,30 EUR
RV3 RR220X350							45,0 bar		51,80 EUR
RV1 RR220X400	14,0 dm ³	1" 1/4ROT	1" 1/4ROT	1/2"NPT	ø 220 mm	449 mm	32,0 bar	brak	49,70 EUR
RV3 RR220X400							45,0 bar		52,20 EUR
RV1 RR260X406	18,0 dm ³	1" 1/4ROT	1" 1/4ROT	1/2"NPT	ø 260 mm	455 mm	32,0 bar	brak	65,80 EUR
RV3 RR260X406							45,0 bar		69,10 EUR
RV1 RR260X450	20,0 dm ³	1" 1/4 ROT	1" 1/4ROT	1/2"NPT	ø 260 mm	499 mm	32,0 bar	brak	72,40 EUR
RV3 RR260X450							45,0 bar		76,00 EUR
RV1 RR285X450	24,0 dm ³	1" 3/4 ROT	1" 3/4ROT	1/2"NPT	ø 285 mm	504 mm	32,0 bar	brak	82,10 EUR
RV3 RR285X450							45,0 bar		86,20 EUR
RV1 RR300X520	30,0 dm ³	1" 3/4 ROT	1" 3/4ROT	1/2"NPT	ø 300 mm	575 mm	32,0 bar	brak	99,00 EUR
RV3 RR300X520							45,0 bar		104,00 EUR
RV1 RR300X560	34,0 dm ³	1" 3/4 ROT	1" 3/4ROT	1/2"NPT	ø 300 mm	615 mm	32,0 bar	brak	102,10 EUR
RV3 RR300X560							45,0 bar		107,20 EUR



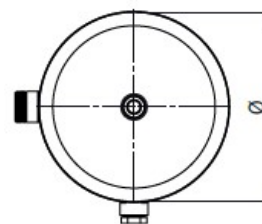
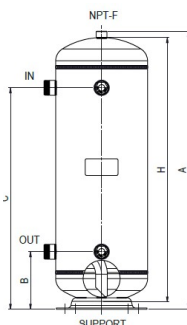


Przedsiębiorstwo Produkcyjno Handlowo Usługowe
ReBaNo
 Renata i Bartosz Nowaczy
 ul. Kopanina 39 , 60-105 Poznań
 tel./faks: +48 61 657-93-65 , e-mail: biuro@rebano.pl
 NIP: 779-103-65-86, REGON: 630603794
 Rok założenia 1996



Pionowe zbiorniki ciekłego czynnika o pojemności od 30 do 500 litrów

Model	pojemność zbiornika	przyłącza zbiornika			wymiary zbiornika		ciśnienie maksymalne	ilość wzierników	cena cennikowa
		wejście	wyjście	zawór bezpieczeństwa	średnica	wysokość			
RLV1R273X790	40,0 dm ³	1"3/4ROT	1"3/4ROT	1/2"NPT	ø 273 mm	831 mm	32,0 bar	2	189,00 EUR
RLV3R273X790							45,0 bar		198,40 EUR
RLV1R273X980	50,0 dm ³	1" 3/4ROT	1"3/4 ROT	1/2"NPT	ø 273 mm	1021 mm	32,0 bar	2	204,20 EUR
RLV3R273X980							45,0 bar		214,40 EUR
RLV1R273X1160	60,0 dm ³	1"3/4 ROT	1" 3/4ROT	1/2"NPT	ø 273 mm	1201 mm	32,0 bar	3	251,30 EUR
RLV3R273X1160							45,0 bar		263,90 EUR
RLV1R273X1350	70,0 dm ³	1" 3/4ROT	1" 3/4ROT	1/2"NPT	ø 273 mm	1391 mm	32,0 bar	3	266,50 EUR
RLV3R273X1350							45,0 bar		279,90 EUR
RLV1R273X1530	80,0 dm ³	1" 3/4ROT	1" 3/4ROT	1/2"NPT	ø 273 mm	1571 mm	32,0 bar	3	280,30 EUR
RLV3R273X1530							45,0 bar		294,30 EUR
RLV1R323X720	50,0 dm ³	1" 3/4ROT	1" 3/4ROT	1/2"NPT	ø 273 mm	763 mm	32,0 bar	2	235,40 EUR
RLV3R323X720							45,0 bar		247,20 EUR
RLV1R323X980	70,0 dm ³	1"3/4 ROT	1"3/4 ROT	1/2"NPT	ø 324 mm	1023 mm	32,0 bar	3	295,90 EUR
RLV3R323X980							45,0 bar		310,70 EUR
RLV1R323X1240	90,0 dm ³	1"3/4 ROT	1"3/4 ROT	1/2"NPT	ø 324 mm	1283 mm	32,0 bar	3	321,60 EUR
RLV3R323X1240							45,0 bar		337,70 EUR
RLV1R323X1370	100,0 dm ³	2" 3/4ROT	2" 3/4ROT	1"NPT	ø 324 mm	1434 mm	32,0 bar	3	429,00 EUR
RLV3R323X1370							45,0 bar		450,40 EUR
RLV1R323X1500	110,0 dm ³	2"3/4 ROT	2"3/4 ROT	1"NPT	ø 324 mm	1564 mm	32,0 bar	3	469,60 EUR
RLV3R323X1500							45,0 bar		493,10 EUR
RLV1R356X900	75,0 dm ³	1" 3/4ROT	1"3/4 ROT	1/2"NPT	ø 356 mm	952 mm	32,0 bar	3	473,90 EUR
RLV3R356X900							45,0 bar		497,60 EUR
RLV1R356X1170	100,0 dm ³	2"1/4 ROT	2"1/4 ROT	1"NPT	ø 356 mm	1243 mm	32,0 bar	3	611,50 EUR
RLV3R356X1170							45,0 bar		642,10 EUR
RLV1R356X1440	125,0 dm ³	2"1/4 ROT	2"1/4 ROT	1"NPT	ø 356 mm	1513 mm	32,0 bar	3	683,00 EUR
RLV3R356X1440							45,0 bar		717,20 EUR
RLV1R356X1720	150,0 dm ³	2"1/4 ROT	2"1/4 ROT	1"NPT	ø 356 mm	1793 mm	32,0 bar	3	728,30 EUR
RLV3R356X1720							45,0 bar		764,70 EUR
RLV1R356X1990	175,0 dm ³	2"1/4 ROT	2"1/4 ROT	1"NPT	ø 356 mm	2063 mm	32,0 bar	3	771,30 EUR
RLV3R356X1990							45,0 bar		809,90 EUR
RLV1R406X960	100,0 dm ³	2"1/4 ROT	2"1/4 ROT	1"NPT	ø 406 mm	1029 mm	32,0 bar	3	660,50 EUR
RLV3R406X960							45,0 bar		693,50 EUR
RLV1R406X1170	125,0 dm ³	2"1/4 ROT	2"1/4 ROT	1"NPT	ø 406 mm	1239 mm	32,0 bar	3	699,50 EUR
RLV3R406X1170							45,0 bar		734,50 EUR
RLV1R406X1370	150,0 dm ³	2"1/4 ROT	2"1/4 ROT	1"NPT	ø 406 mm	1439 mm	32,0 bar	3	736,70 EUR
RLV3R406X1370							45,0 bar		773,50 EUR
RLV1R406X1580	175,0 dm ³	2"1/4 ROT	2"1/4 ROT	1"NPT	ø 406 mm	1649 mm	32,0 bar	3	775,00 EUR
RLV3R406X1580							45,0 bar		813,70 EUR
RLV1R406X1790	200,0 dm ³	2"1/4 ROT	2"1/4 ROT	1"NPT	ø 406 mm	1859 mm	32,0 bar	3	814,00 EUR
RLV3R406X1790							45,0 bar		854,70 EUR
RLV1R508X910	150,0 dm ³	2"1/4 ROT	2"1/4 ROT	1"NPT	ø 508 mm	979 mm	32,0 bar	3	940,70 EUR
RLV3R508X910							45,0 bar		987,80 EUR
RLV1R508X1180	200,0 dm ³	2"1/4 ROT	2"1/4 ROT	1"NPT	ø 508 mm	1249 mm	32,0 bar	3	1 058,30 EUR
RLV3R508X1180							45,0 bar		1 111,20 EUR
RLV1R508X1450	250,0 dm ³	2"1/4 ROT	2"1/4 ROT	1"NPT	ø 508 mm	1519 mm	32,0 bar	3	1 175,90 EUR
RLV3R508X1450							45,0 bar		1 234,70 EUR
RLV1R508X1720	300,0 dm ³	2"1/4 ROT	2"1/4 ROT	1"NPT	ø 508 mm	1789 mm	32,0 bar	3	1 292,80 EUR
RLV3R508X1720							45,0 bar		1 357,40 EUR
RLV1R508X1990	350,0 dm ³	2"1/4 ROT	2"1/4 ROT	1"NPT	ø 508 mm	2059 mm	32,0 bar	3	1 410,00 EUR
RLV3R508X1990							45,0 bar		1 480,90 EUR



SIGHT GLASSES



Przedsiębiorstwo Produkcyjno Handlowo Usługowe

ReBaNo

Renata i Bartosz Nowaczy

ul. Kopanina 39, 60-105 Poznań

tel./faks: +48 61 657-93-65, e-mail: biuro@rebano.pl

NIP: 779-103-65-86, REGON: 630603794

Rok założenia 1996



Poziome zbiorniki ciekłego czynnika

Model	pojemność zbiornika	przyłącza zbiornika			wymiary zbiornika		ciężnienie	ilość wzierników	cena cennikowa
		wejście	wyjście	zawór bezpieczeń.	średnica	długość			
RLH1R139X470	6,0 dm ³	1" ROT	1" ROT	1/2"NPT	ø 140 mm	470 mm	32,0 bar	brak	48,70 EUR
RLH3R139X470							45,0 bar		51,10 EUR
RLH1R139X680	9,0 dm ³	1" ROT	1" ROT	1/2"NPT	ø 140 mm	690 mm	32,0 bar	brak	55,90 EUR
RLH3R139X680							45,0 bar		58,70 EUR
RLH1R152X750	12,0 dm ³	1" ROT	1" ROT	1/2"NPT	ø 152 mm	740 mm	32,0 bar	brak	62,20 EUR
RLH3R152X750							45,0 bar		65,40 EUR
RLH1R159X850	15,0 dm ³	1" 1/4ROT	1" 1/4 ROT	1/2"NPT	ø 159 mm	850 mm	32,0 bar	brak	72,40 EUR
RLH3R159X850							45,0 bar		76,00 EUR
RLH1R168X920	18,0 dm ³	1" 1/4 ROT	1" 1/4 ROT	1/2"NPT	ø 168 mm	920 mm	32,0 bar	brak	79,10 EUR
RLH3R168X920							45,0 bar		83,10 EUR
RLH1R194X800	21,0 dm ³	1" 1/4ROT	1" 1/4 ROT	1/2"NPT	ø 194 mm	800 mm	32,0 bar	brak	98,90 EUR
RLH3R194X800							45,0 bar		103,80 EUR
RLH1R219X760	25,0 dm ³	1" 1/4 ROT	1" 1/4 ROT	1/2"NPT	ø 219 mm	760 mm	32,0 bar	brak	141,30 EUR
RLH3R219X760							45,0 bar		148,40 EUR
RLH1R219X910	30,0 dm ³	1" 3/4 ROT	1" 3/4 ROT	1/2"NPT	ø 219 mm	942 mm	32,0 bar	1	152,70 EUR
RLH3R219X910							45,0 bar		160,40 EUR
RLH1R219X1050	35,0 dm ³	1" 3/4ROT	1" 3/4 ROT	1/2"NPT	ø 219 mm	1082 mm	32,0 bar	1	160,40 EUR
RLH3R219X1050							45,0 bar		168,50 EUR
RLH1R219X1190	40,0 dm ³	1" 3/4ROT	1" 3/4 ROT	1/2"NPT	ø 219 mm	1222 mm	32,0 bar	1	168,20 EUR
RLH3R219X1190							45,0 bar		176,60 EUR
RLH1R219X1330	45,0 dm ³	1" 3/4 ROT	1" 3/4 ROT	1/2"NPT	ø 219 mm	1362 mm	32,0 bar	1	175,90 EUR
RHL3R219X1330							45,0 bar		184,70 EUR
RLH1R219X1480	50,0 dm ³	1" 3/4ROT	1" 3/4 ROT	1/2"NPT	ø 219 mm	1512 mm	32,0 bar	1	184,20 EUR
RLH3R219X1480							45,0 bar		193,40 EUR
RLH1R273X790	40,0 dm ³	1" 3/4ROT	1" 3/4 ROT	1/2"NPT	ø 273 mm	820 mm	32,0 bar	2	197,30 EUR
RLH3R273X790							45,0 bar		207,20 EUR
RLH1R273X980	50,0 dm ³	1" 3/4 ROT	1" 3/4 ROT	1/2"NPT	ø 273 mm	1010 mm	32,0 bar	2	211,90 EUR
RLH3R273X980							45,0 bar		222,40 EUR
RLH1R273X1160	60,0 dm ³	1" 3/4ROT	1" 3/4 ROT	1/2"NPT	ø 273 mm	1190 mm	32,0 bar	2	238,10 EUR
RLH3R273X1160							45,0 bar		250,00 EUR
RLH1R273X1350	70,0 dm ³	1" 3/4ROT	1" 3/4 ROT	1/2"NPT	ø 273 mm	1380 mm	32,0 bar	2	252,70 EUR
RLH3R273X1350							45,0 bar		265,30 EUR
RHL1R273X1530	80,0 dm ³	1" 3/4 ROT	1" 3/4 ROT	1/2"NPT	ø 273 mm	1560 mm	32,0 bar	2	266,40 EUR
RHL3R273X1530							45,0 bar		279,70 EUR
RLH1R323X720	50,0 dm ³	1" 3/4ROT	1" 3/4 ROT	1/2"NPT	ø 324 mm	760 mm	32,0 bar	2	237,00 EUR
RLH3R323X720							45,0 bar		248,80 EUR
RLH1R323X980	70,0 dm ³	1" 3/4ROT	1" 3/4 ROT	1/2"NPT	ø 324 mm	1020 mm	32,0 bar	2	287,60 EUR
RLH3R323X980							45,0 bar		302,00 EUR
RLH1R323X1240	90,0 dm ³	1" 3/4ROT	1" 3/4 ROT	1/2"NPT	ø 324 mm	1280 mm	32,0 bar	2	313,20 EUR
RLH3R323X1240							45,0 bar		328,90 EUR
RLH1R323X1370	100,0 dm ³	2" 1/4 ROT	2" 1/4 ROT	1"NPT	ø 324 mm	1410 mm	32,0 bar	2	420,00 EUR
RLH3R323X1370							45,0 bar		441,00 EUR
RLH1R323X1500	110,0 dm ³	2" 1/4 ROT	2" 1/4 ROT	1"NPT	ø 324 mm	1540 mm	32,0 bar	2	460,60 EUR
RLH3R323X1500							45,0 bar		483,60 EUR
RLH1R356X900	75,0 dm ³	1" 3/4 ROT	1" 3/4 ROT	1/2"NPT	ø 356 mm	940 mm	32,0 bar	2	461,40 EUR
RLH3R356X900							45,0 bar		484,50 EUR
RLH1R356X1170	100,0 dm ³	2" 1/4 ROT	2" 1/4 ROT	1"NPT	ø 356 mm	1210 mm	32,0 bar	2	599,00 EUR
RLH3R356X1170							45,0 bar		629,00 EUR
RLH1R356X1440	125,0 dm ³	2" 1/4 ROT	2" 1/4 ROT	1"NPT	ø 356 mm	1480 mm	32,0 bar	2	669,80 EUR
RLH3R356X1440							45,0 bar		703,30 EUR
RLH1R356X1720	150,0 dm ³	2" 1/4 ROT	2" 1/4 ROT	1"NPT	ø 356 mm	1760 mm	32,0 bar	2	714,40 EUR
RLH3R356X1720							45,0 bar		750,10 EUR
RLH1R356X1990	175,0 dm ³	2" 1/4 ROT	2" 1/4 ROT	1"NPT	ø 356 mm	2030 mm	32,0 bar	2	757,40 EUR
RLH3R356X1990							45,0 bar		795,30 EUR
RLH1R406X960	100,0 dm ³	2" 1/4 ROT	2" 1/4 ROT	1"NPT	ø 406 mm	1000 mm	32,0 bar	2	754,80 EUR
RLH3R406X960							45,0 bar		792,50 EUR
RLH1R406X1170	125,0 dm ³	2" 1/4 ROT	2" 1/4 ROT	1"NPT	ø 406 mm	1210 mm	32,0 bar	2	793,10 EUR
RLH3R406X1170							45,0 bar		832,70 EUR
RLH1R406X1370	150,0 dm ³	2" 1/4 ROT	2" 1/4 ROT	1"NPT	ø 406 mm	1410 mm	32,0 bar	2	829,60 EUR
RLH3R406X1370							45,0 bar		871,10 EUR
RLH1R406X1580	175,0 dm ³	2" 1/4 ROT	2" 1/4 ROT	1"NPT	ø 406 mm	1620 mm	32,0 bar	2	867,60 EUR
RLH3R406X1580							45,0 bar		911,30 EUR



Przedsiębiorstwo Produkcyjno Handlowo Usługowe
ReBaNo
 Renata i Bartosz Nowaczy
 ul. Kopanina 39 , 60-105 Poznań
 tel./faks: +48 61 657-93-65 , e-mail: biuro@rebano.pl
 NIP: 779-103-65-86, REGON: 630603794
 Rok założenia 1996



Poziome zbiorniki ciekłego czynnika c.d.

Model	pojemność zbiornika	przylączy zbiornika			wymiary zbiornika		ciśnienie	ilość wzierników	cena cennikowa
		wejście	wyjście	zawór bezpieczeństwa.	średnica	długość			
RLH1R406X1790	200,0 dm ³	2"1/4 ROT	2"1/4 ROT	1"NPT	ø 406 mm	1830 mm	32,0 bar	2	906,20 EUR
RLH3R406X1790							45,0 bar		951,50 EUR
RLH1R508X910	150,0 dm ³	2"1/4 ROT	2"1/4 ROT	1"NPT	ø 508 mm	950 mm	32,0 bar	2	1 035,70 EUR
RLH3R508X910							45,0 bar		1 087,50 EUR
RLH1R508X1180	200,0 dm ³	2"1/4 ROT	2"1/4 ROT	1"NPT	ø 508 mm	1220 mm	32,0 bar	2	1 152,60 EUR
RLH3R508X1180							45,0 bar		1 210,30 EUR
RLH1R508X1450	250,0 dm ³	2"1/4 ROT	2"1/4 ROT	1"NPT	ø 508 mm	1490 mm	32,0 bar	2	1 269,50 EUR
RLH3R508X1450							45,0 bar		1 333,00 EUR
RLH1R508X1720	300,0 dm ³	2"1/4 ROT	2"1/4 ROT	1"NPT	ø 508 mm	1760 mm	32,0 bar	2	1 386,40 EUR
RLH3R508X1720							45,0 bar		1 455,70 EUR
RLH1R508X1990	350,0 dm ³	2"1/4" ROT	2" 1/4ROT	1"NPT	ø 508 mm	2030 mm	32,0 bar	2	1 503,30 EUR
RLH3R508X1990							45,0 bar		1 578,50 EUR

